

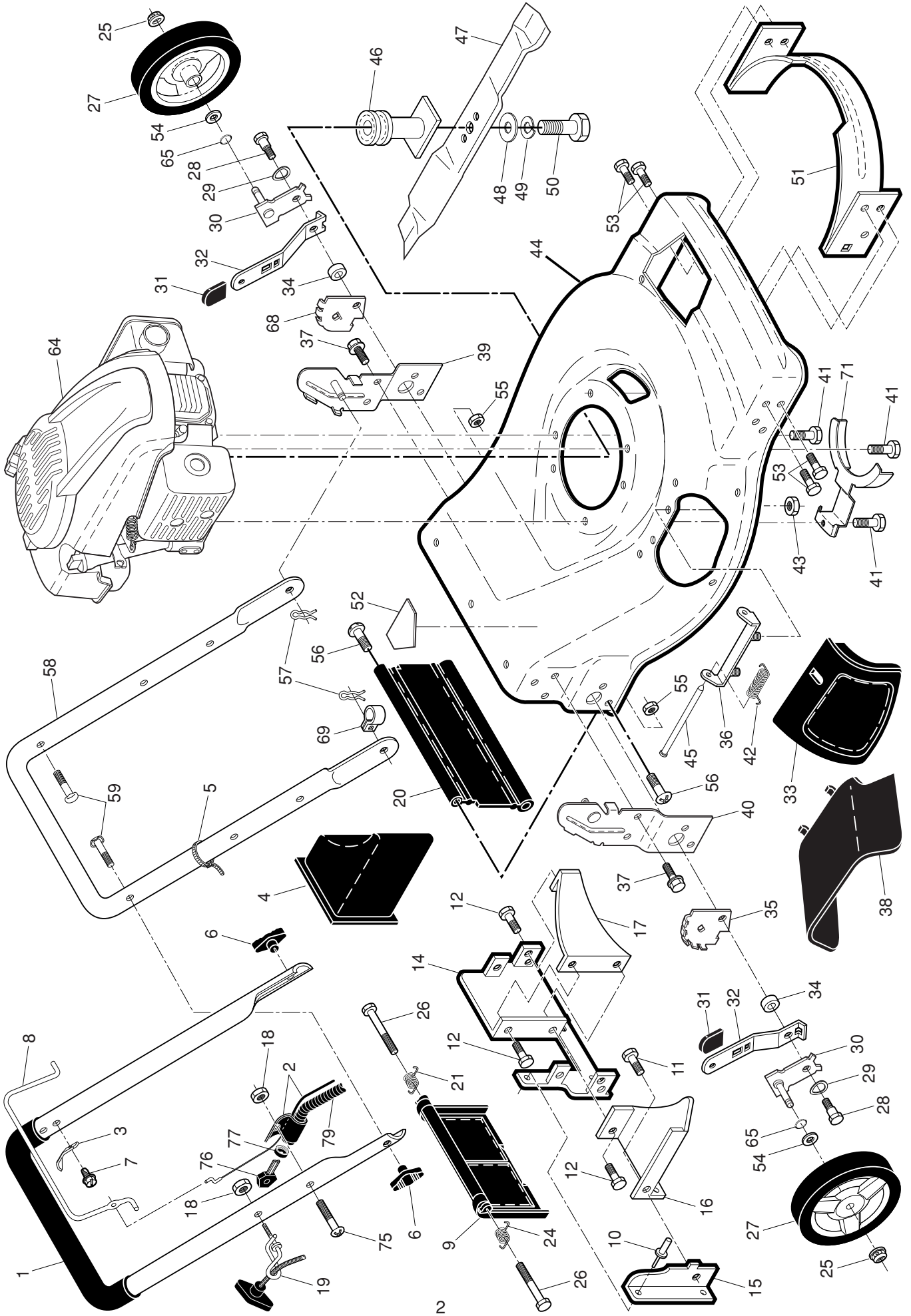
ILLUSTRATED PARTS LIST

MODEL NUMBER XT722FE

PRODUCT NUMBER 961 43 00-61

MFG. ID. NUMBER 96143006105

HUSQVARNA ROTARY LAWN MOWER - MODEL NO. XT722FE (96143006105) PRODUCT NO. 961 43 00-61

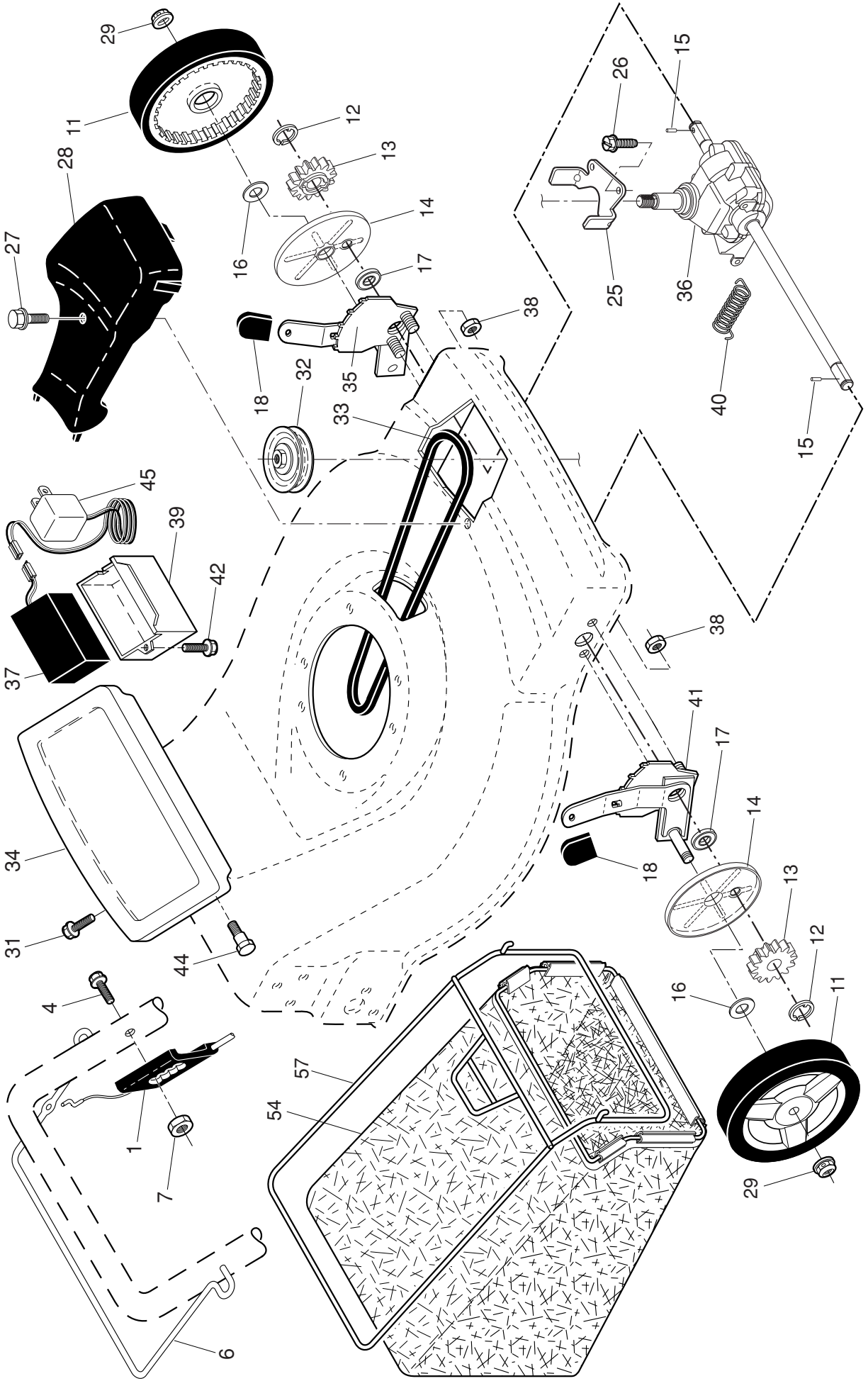


HUSQVARNA ROTARY LAWN MOWER - MODEL NO. XT722FE (96143006105) PRODUCT NO. 961 43 00-61

| KEY NO. | PART NO. | DESCRIPTION | KEY NO. | PART NO. | DESCRIPTION |
|---------|--------------|--|---------|--------------|---|
| 1 | 532 42 76-63 | Upper Handle (Includes Foam Grip) | 39 | 532 41 91-93 | Handle Bracket Assembly, LH |
| 2 | 532 40 19-94 | Cable, Operator Presence (Includes Key Start Switch) | 40 | 532 41 91-92 | Handle Bracket Assembly, RH |
| 3 | 532 12 51-62 | Bracket, Upstop | 41 | 532 15 04-06 | Screw, Hex Head, Threaded, Rolled 3/8-16 x 1-1/8 |
| 4 | 532 16 66-49 | Mulcher Plug | 42 | 532 19 30-00 | Spring, Torsion |
| 5 | 532 06 64-26 | Wire Tie | 43 | 873 80 04-00 | Nut, Hex, Nylock |
| 6 | 532 44 50-19 | Handle Knob | 44 | 532 41 74-05 | Kit, Lawn Mower Housing (Includes Key Numbers 14, 15 and 51) |
| 7 | 532 75 06-34 | Screw | 45 | 532 17 56-50 | Rod, Hinge |
| 8 | 532 41 31-85 | Control Bar | 46 | 532 42 12-48 | Blade Adapter / Pulley |
| 9 | 532 40 84-92 | Rear Door Assembly | 47 | 532 40 67-13 | Blade, 22" |
| 10 | 532 12 84-15 | Pop Rivet | 48 | 532 85 10-74 | Washer, Hardened |
| 11 | 532 15 00-50 | Screw, Self-Tapping #10-24 x 5/8 | 49 | 532 85 02-63 | Washer, Helical |
| 12 | 817 06 04-10 | Screw, Hex Hex Head, Sems 1/4-20 x 5/8 | 50 | 532 85 10-84 | Screw, Machine, Hex Head 3/8-24 x 1-3/8 Grade 8 |
| 14 | 532 19 70-76 | Back Plate | 51 | 532 17 00-31 | Kit, Front Baffle |
| 15 | 532 41 13-34 | Side Baffle | 52 | 532 40 47-63 | Danger Decal |
| 16 | 532 17 71-33 | Discharge Baffle | 53 | 817 60 04-06 | Screw |
| 17 | 532 14 89-41 | Rear Baffle | 54 | 532 08 83-48 | Washer, Flat |
| 18 | 532 13 20-04 | Keeps Locknut 1/4-20 | 55 | 873 93 06-00 | Nut, Hex |
| 19 | 532 19 47-88 | Rope Guide | 56 | 532 08 86-52 | Screw, Hinge 1/4-20 x 1-1/4 |
| 20 | 532 41 31-60 | Rear Skirt | 57 | 532 05 17-93 | Hairpin Cotter |
| 21 | 532 40 54-21 | Spring, Rear Door, LH | 58 | 532 44 86-94 | Lower Handle |
| 24 | 532 40 54-23 | Spring, Rear Door, RH | 59 | 532 19 15-74 | Handle Bolt |
| 25 | 532 40 91-48 | Nut, Hex, Flanged | 64 | - - - | Engine, Kohler, Model Number XT800-2012 (For engine service and replacement parts, call Kohler at 1-800-544-2444) |
| 26 | 532 18 41-93 | Bolt, Rear Door | 65 | 532 19 74-80 | O-Ring |
| 27 | 532 41 08-31 | Wheel & Tire Assembly, Rear | 68 | 532 41 06-23 | Wheel Adjusting Bracket, LH |
| 28 | 532 17 47-19 | Bolt, Shoulder 3/8-16 x 1 | 69 | 532 19 79-91 | Clip, Cable |
| 29 | 532 40 16-30 | Washer, Belleville | 71 | 532 42 57-11 | Belt Keeper |
| 30 | 532 40 78-71 | Axle Arm Assembly | 75 | 532 18 61-59 | Screw |
| 31 | 532 70 10-37 | Selector Knob | 76 | 532 18 03-31 | Key |
| 32 | 532 40 64-28 | Selector Spring | 77 | 532 19 48-48 | Nut, Cap |
| 33 | 532 19 70-29 | Mulcher Door | 79 | 532 40 95-67 | Wiring Harness |
| 34 | 532 40 16-29 | Spacer | - - | 532 42 59-37 | Fuse (not shown) |
| 35 | 532 41 06-24 | Wheel Adjusting Bracket, RH | - - | 532 40 47-64 | Warning Decal (not shown) |
| 36 | 532 17 57-35 | Hinge Bracket Assembly | - - | 532 43 11-60 | Operator's Manual, English / French |
| 37 | 532 42 88-67 | Screw, Sems, Thread Cutting 5/16-18 x 3/4 | | | |
| 38 | 532 43 94-30 | Discharge Deflector | | | |

NOTE: All component dimensions given in U.S. inches. 1 inch = 25.4 mm. **IMPORTANT:** Use only Original Equipment Manufacturer (O.E.M.) replacement parts. Failure to do so could be hazardous, damage your lawn mower and void your warranty.

HUSQVARNA ROTARY LAWN MOWER - MODEL NO. XT722FE (96143006105) PRODUCT NO. 961 43 00-61



HUSQVARNA ROTARY LAWN MOWER - MODEL NO. XT722FE (96143006105) PRODUCT NO. 961 43 00-61

| KEY PART NO. | DESCRIPTION | KEY PART NO. | DESCRIPTION |
|--------------|---|--------------|---|
| 1 | 532 40 78-16 Drive Control Cable | 31 | 532 14 18-41 Screw, Torx Pan Head #20 |
| 4 | 532 19 96-87 Screw 1/4-20 | 32 | 532 44 32-62 Pulley, Drive |
| 6 | 532 19 90-93 Bar, Drive Control | 33 | 532 19 68-57 V-Belt |
| 7 | 532 19 17-30 Nut, Hex 1/4-20 | 34 | 532 41 11-90 Trimplate |
| 11 | 532 41 10-81 Wheel & Tire Assembly | 35 | 532 43 84-85 Kit, Wheel Adjuster, LH |
| 12 | 812 00 00-58 E-Ring | | (Includes Knob and Bearing) |
| 13 | 532 40 38-49 Gear, Pinion | 36 | 532 40 48-34 Gear Case Assembly, Complete |
| 14 | 532 18 94-03 Dust Cover | 37 | 532 18 95-89 Battery |
| 15 | 532 40 48-45 Pawl, Drive | 38 | 873 80 04-00 Locknut, Hex 1/4-20 |
| 16 | 532 06 77-25 Washer, Flat 3/8 | 39 | 532 18 62-37 Box, Battery |
| 17 | 532 42 18-36 Ball Bearing | 40 | 532 40 65-58 Spring |
| 18 | 532 70 10-37 Selector Knob | 41 | 532 43 84-86 Kit, Wheel Adjuster, RH |
| 25 | 532 43 17-11 Belt Keeper | | (Includes Knob and Bearing) |
| 26 | 532 16 43-09 Screw | 42 | 817 41 13-08 Screw, Hex Head #13 x 1/2 |
| 28 | 532 43 26-66 Drive Cover Assembly (Includes Mounting Screw and Pushnut) | 44 | 532 17 55-51 Screw, Shoulder, Hex Head #10-28 x 5/8 |
| 29 | 532 40 91-48 Locknut, Hex | 45 | 532 42 86-26 Charger, Battery |
| | | 54 | 532 42 56-69 Grassbag Assembly |
| | | 57 | 532 41 19-52 Frame, Grassbag |

NOTE: All component dimensions given in U.S. inches. 1 inch = 25.4 mm. **IMPORTANT:** Use only Original Equipment Manufacturer (O.E.M.) replacement parts. Failure to do so could be hazardous, damage your lawn mower and void your warranty.